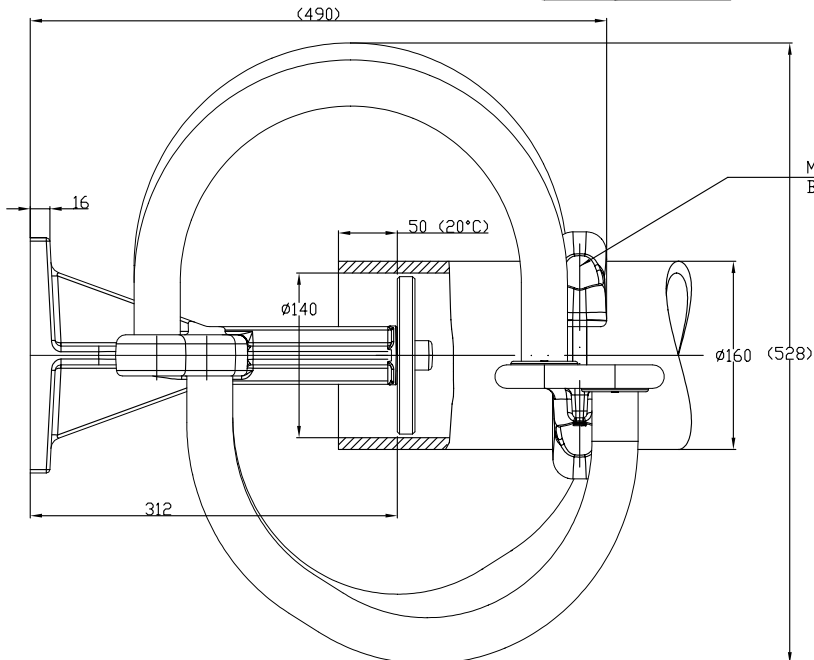
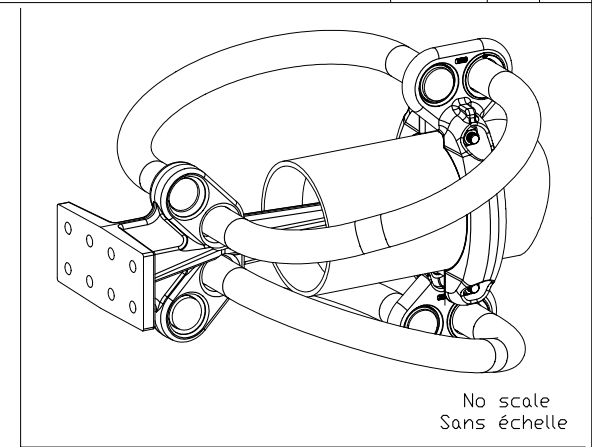
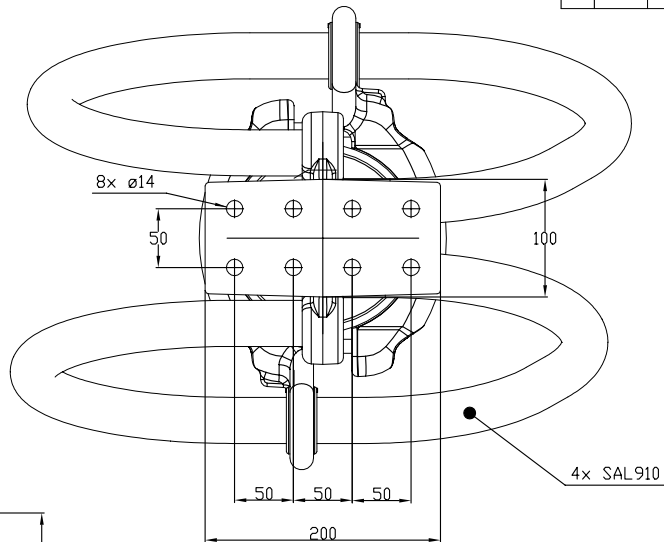
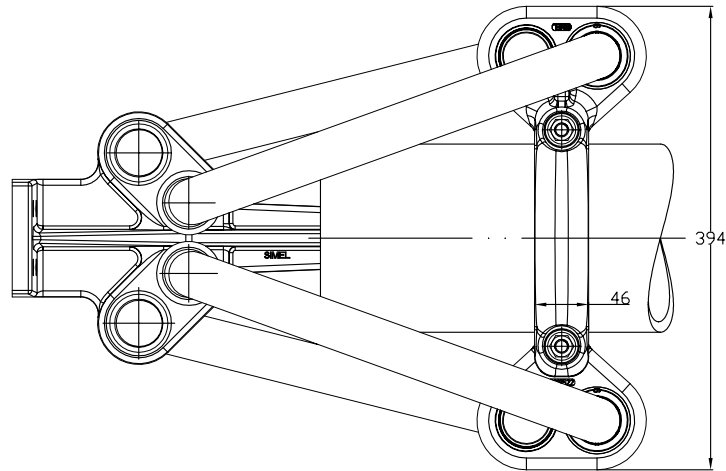


REVISIONS

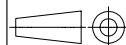
P	LTR	DESCRIPTION	DATE	DWN	APVD
	A	CREATION	02AUG2022	RS	CG



M12 Stainless steel bolts A2 : 60Nm
Boulons M12 acier inoxydable A2 : 60Nm

THIS DRAWING IS A CONTROLLED DOCUMENT.

DIMENSIONS:
mm



TOLERANCES UNLESS OTHERWISE SPECIFIED:

0 PLC	± -
1 PLC	± -
2 PLC	± -
3 PLC	± -
4 PLC	± -
ANGLES	± -

MATERIAL

FINISH

DWN RAVI.S 02AUG2022

CHK J.GODARD 02AUG2022

APVD C.GLOMMEAU 02AUG2022

PRODUCT SPEC

108-69090-001

APPLICATION SPEC

WEIGHT 12.6 kg

CUSTOMER DRAWING



NAME
EXPANSION CONNECTOR-ø160 TO PAD
RACCORD A DILATION-TUBE ø160 SUR PLAGE
5 TTPHL 82 T140/160 100X200 R90 49H

SIZE CAGE CODE DRAWING NO RESTRICTED TO

A3 00779 C=2426115

SCALE 1:4 SHEET 1 OF 1 REV A

ITEM:UBE160144-1