

THIS DRAWING IS UNPUBLISHED.

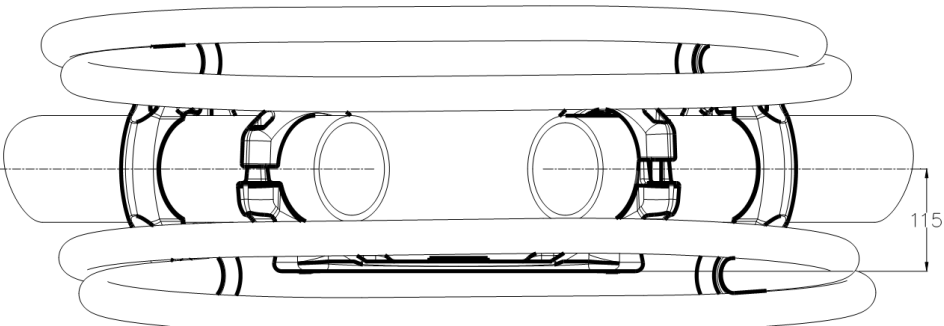
RELEASED FOR PUBLICATION

ALL RIGHTS RESERVED.

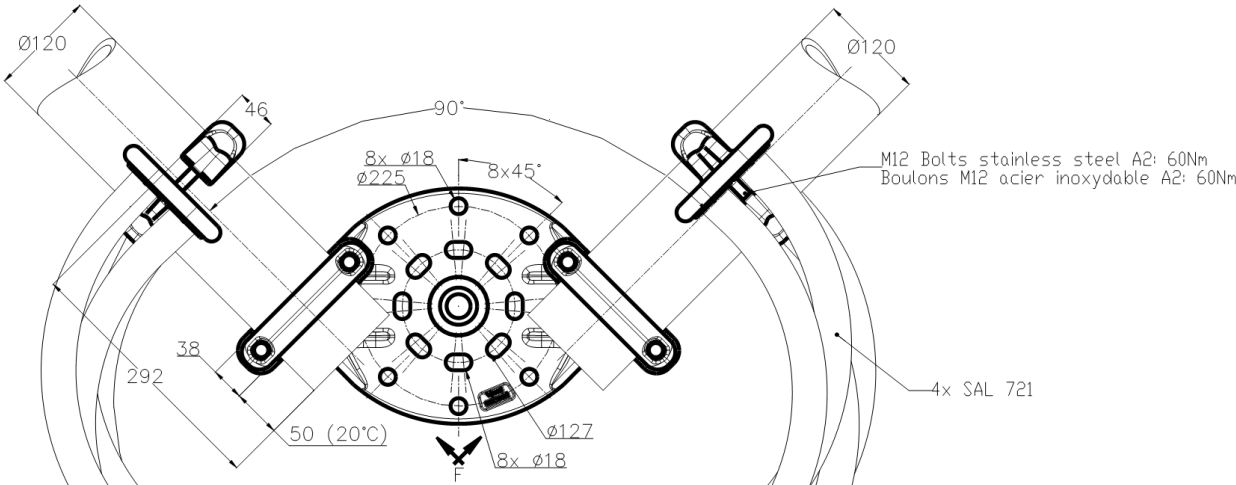
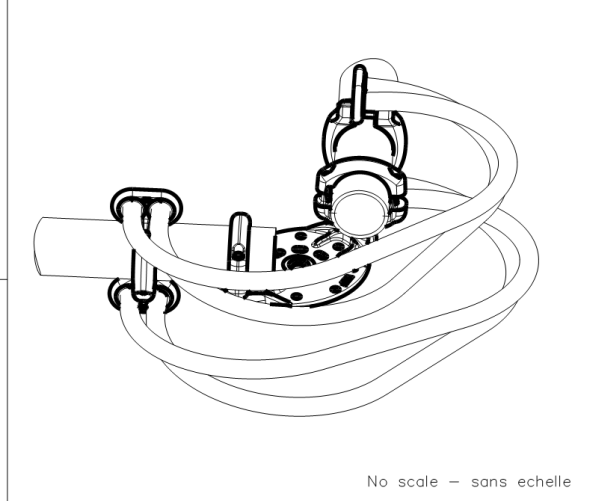
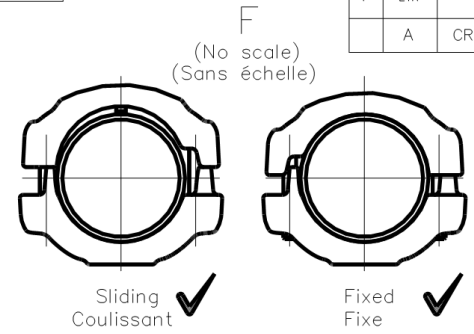
© COPYRIGHT - TE Connectivity

REVISIONS

P	LTR	DESCRIPTION	DATE	DWN	APVD
A		CREATION	28-Jul-17	BH	-



115



THIS DRAWING IS A CONTROLLED DOCUMENT.		DWN HUARD 28JUL2017				
DIMENSIONS: mm		CHK -				NAME
TOLERANCES UNLESS OTHERWISE SPECIFIED:		APVD -	Ø120 Busbar support on BPI at 90deg Support tube Ø120 sur ISO à 90deg 5 TJL 90 82 P5-P225 T120 47			
		PRODUCT SPEC	SIZE	CAGE CODE	DRAWING NO	RESTRICTED TO
MATERIAL -		APPLICATION SPEC	A3	00779	©=2323403	-
FINISH -		WEIGHT 17.5 kg	SCALE 1/6		SHEET 1 of 1	REV A
CUSTOMER DRAWING						