

THIS DRAWING IS UNPUBLISHED
DIFFUSION RESTREINTE

RELEASED FOR PUBLICATION
LIBRE A LA DIFFUSION

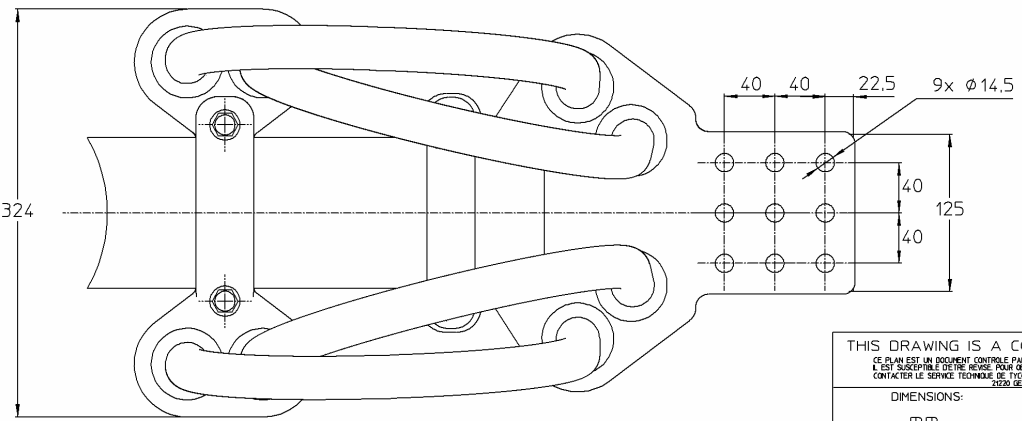
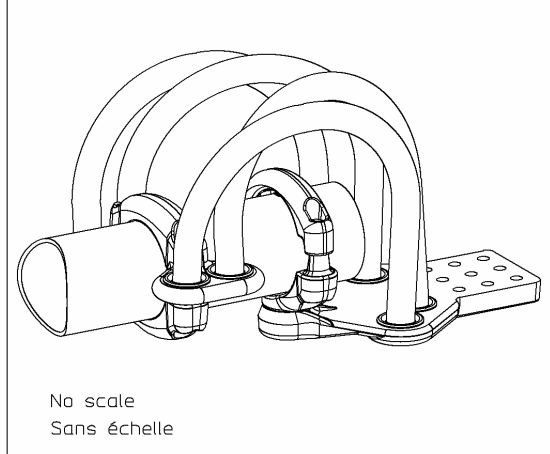
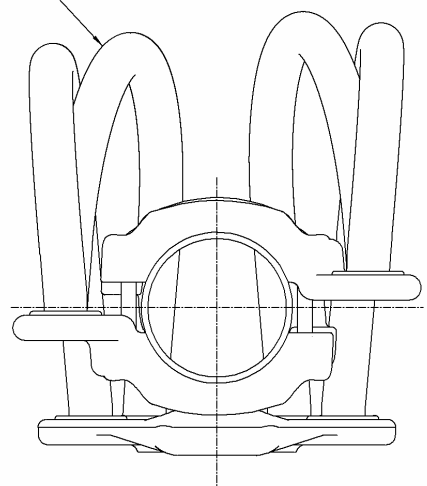
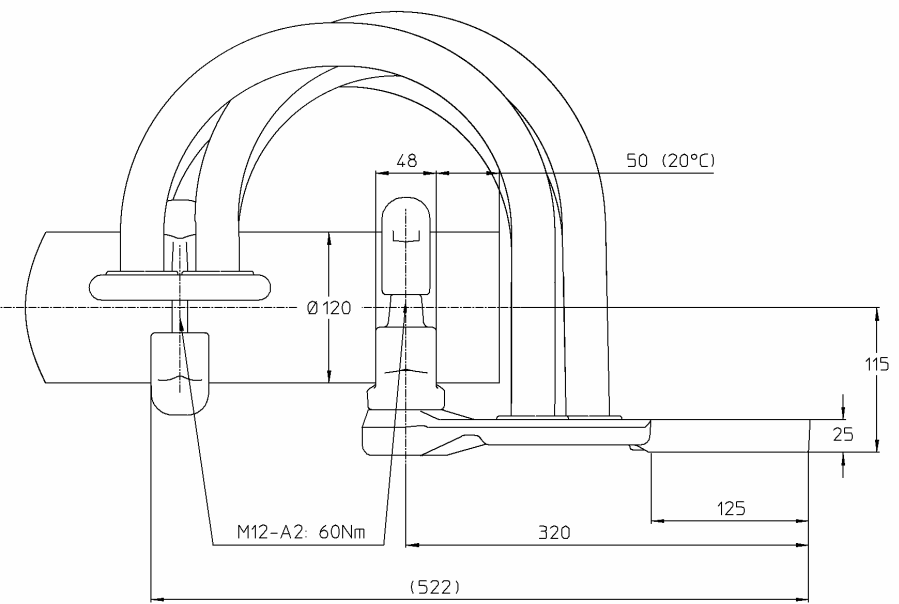
2011

ALL RIGHTS RESERVED.
TOUS DROITS RESERVES

© COPYRIGHT 2011 by Tyco Electronics Corporation

P	LTR REV	DESCRIPTION MODIFICATIONS	DATE	DWN DESS	APVD APPR
	A	CREATION	26-Jun-14	JG	-

4x SAL721



CONNECTOR - RACCORD	
MATERIEL - MATIERE	Al
VOLTAGE - TENSION	420 kV
RATED CURRENT - I _n	3150 A
SHORT TIME CURRENT - I _{cc}	40 kA/3s - 63 kA/1s

PROJECT - PROJET	
VOLTAGE - TENSION	
CUSTOMER - CLIENT	
FIXATION:	

THIS DRAWING IS A CONTROLLED DOCUMENT. CE PLAN EST UN DOCUMENT CONTROLE PAR TYCO ELECTRONICS CORPORATION IL EST SUSCEPTIBLE D'ETRE REUSE POUR OBTENIR LA SERVICE PERSON. CONTACTER LE SERVICE TECHNIQUE DE TYCO ELECTRONICS SNEI, SAS. 2020 BELLEVILLE-D'OLIVE, FRANCE		DWN /DESSINE GODARD	26-Jun-14	RESTRICTED TO RESERVE A	
DIMENSIONS: mm	TOLERANCES UNLESS OTHERWISE SPECIFIED PER TOLERANCES NON SPECIFIEES SELON : -	CHK/VERIFIE -	APVD/APPROUVE -	NAME TITRE	EXPANSION CONNECTOR-Ø120 TO PAD RACCORD A DILATION-TUBE Ø120 SUR PLAG 5 TTPDL 82 T120 125 C258 47
MATERIAL MATIERE	FINISH FINITION	PRODUCT SPEC SPEC PRODUIT 108-69090-001	APPLICATION SPEC SPEC APPLICATION -	SIZE FORMAT A3	
		APPROX. WEIGHT MASSE APPROX	11.9 kg	CAGE CODE 00779	DRAWING NO No PLAN C=2830052
		CUSTOMER DRAWING /PLAN CLIENT		UNQUEMENT POUR REFERENCE	SCALE EHELLE 1/4
				SHEET FEUILLE 1	OF DE 1
				REV A	

ITEM:TUBE120100-7