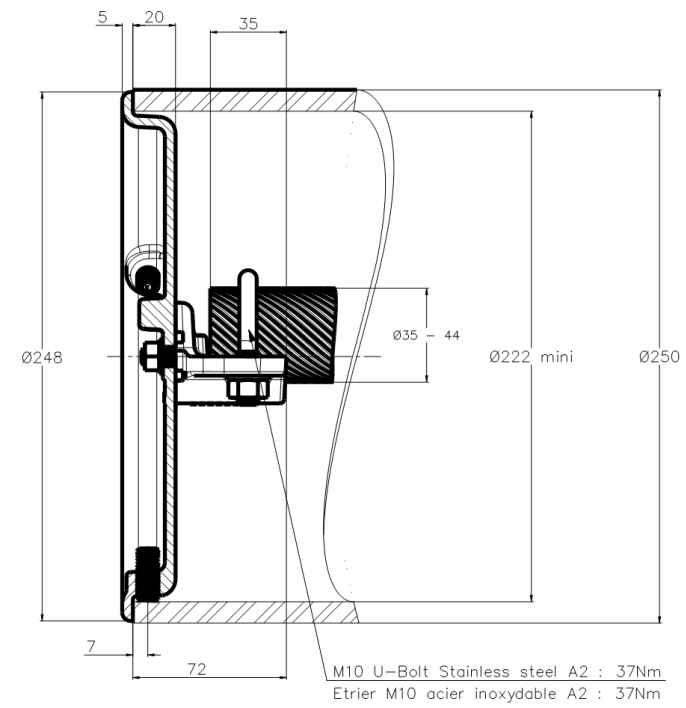
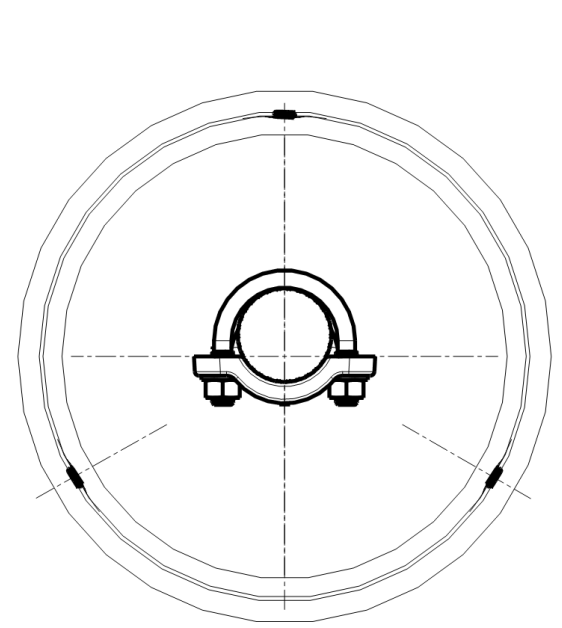
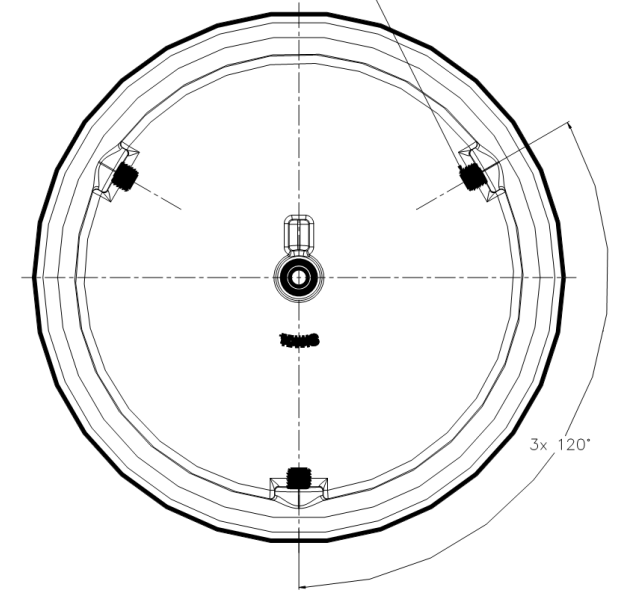


THIS DRAWING IS UNPUBLISHED. RELEASED FOR PUBLICATION
 (C) COPYRIGHT - By - ALL RIGHTS RESERVED.

REVISIONS					
P	LTR	DESCRIPTION	DATE	DWN	APVD
A		CREATION	05-Jan-17	GL	-



3x Vis Hc M10, acier inoxydable A2
 3x Screw Hc M10, stainless steel A2



ITEM: TUBE250238-2

THIS DRAWING IS A CONTROLLED DOCUMENT.		DWN LAFORGE	06-Jan-17	STE TE Connectivity	
DIMENSIONS: mm		CHK -	APVD -		
TOLERANCES UNLESS OTHERWISE SPECIFIED:		PRODUCT SPEC		END CAP CABLE HOLDER BOUCHON PLAT PORT CABLE 5 TABPC 82 T250 35/44	
0 PLC ± -		108-69090-001			
1 PLC ± -		APPLICATION SPEC		SIZE	RESTRICTED TO
2 PLC ± -		-		A3	-
3 PLC ± -		-		CAGE CODE	DRAWING NO
4 PLC ± -		-		00779	C=2301101
5 PLC ± -		-		WEIGHT	2 kg
ANGLES ± -		-		CUSTOMER DRAWING	
MATERIAL		FINISH		SCALE	2/5
-		-		SHEET	1 of 1
				REV	A