

THIS DRAWING IS UNPUBLISHED.

RELEASED FOR PUBLICATION

-. -

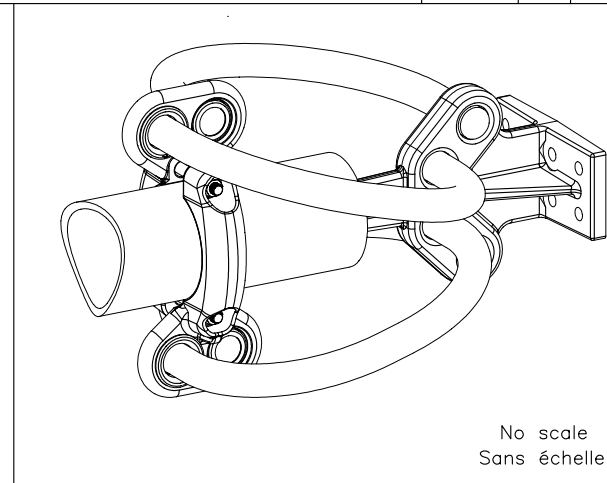
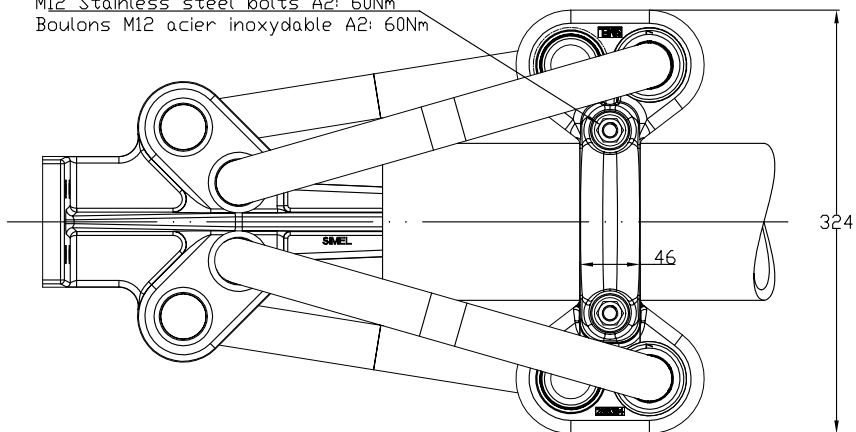
© COPYRIGHT -- By --

ALL RIGHTS RESERVED.

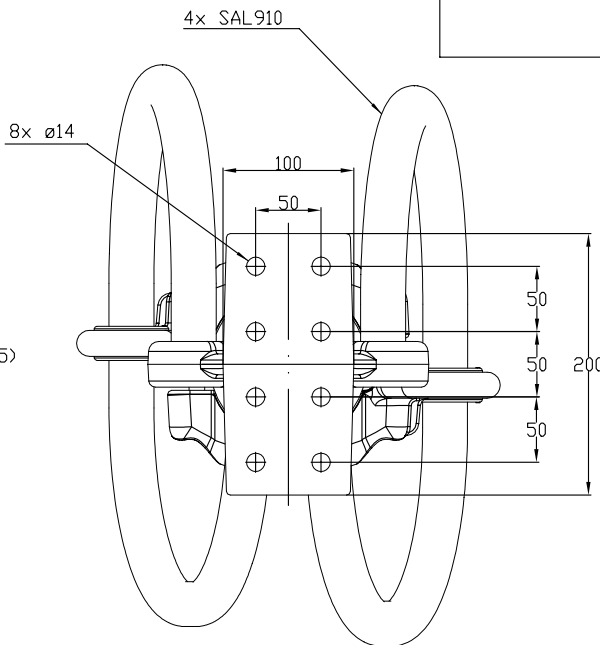
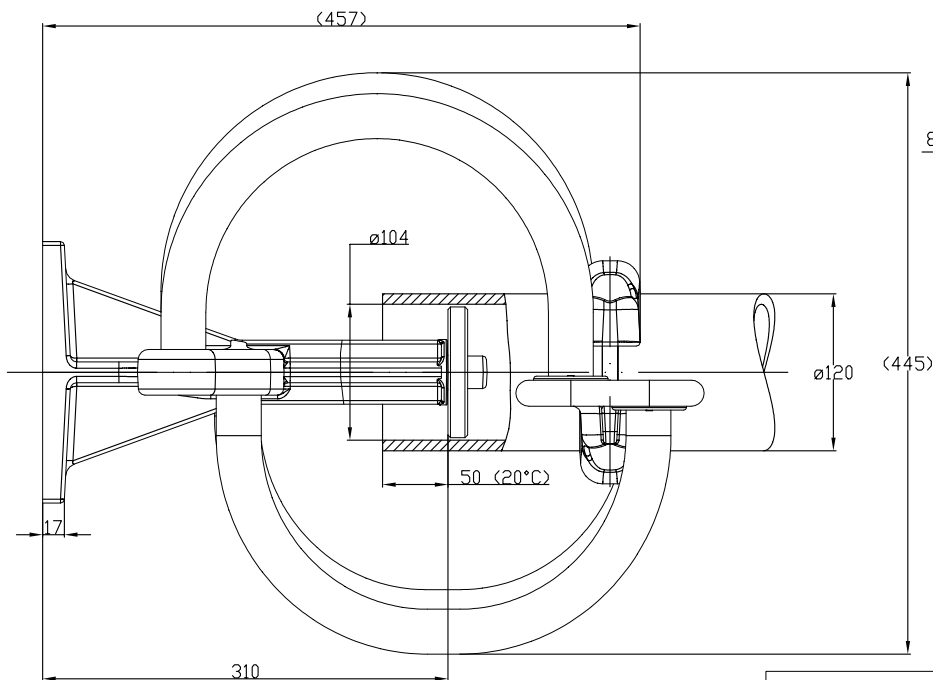
REVISIONS

P	LTR	DESCRIPTION	DATE	DWN	APVD
	A	CREATION	27SEP2022	RS	CG

M12 Stainless steel bolts A2: 60Nm  
 Boulons M12 acier inoxydable A2: 60Nm



No scale  
 Sans échelle



THIS DRAWING IS A CONTROLLED DOCUMENT.

DWN RAVLS 27SEP2022

CHK M.PREVOT 27SEP2022

APVD C.GLOMMEAU 27SEP2022

PRODUCT SPEC 108-69090-001

APPLICATION SPEC -

APPROX.WEIGHT 10.5 kg

CUSTOMER DRAWING

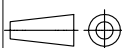
**TE** TE Connectivity

NAME EXPANSION CONNECTOR-ø120 TO PAD  
 RACCORD A DILATION-TUBE ø120 SUR PLAGE  
 5 TTPHL 82 T104/120 100X200 R90 49H

SIZE A3 CAGE CODE 00779 DRAWING NO C=2432653 RESTRICTED TO -

SCALE 1:4 SHEET 1 OF 1 REV A

DIMENSIONS: mm



TOLERANCES UNLESS OTHERWISE SPECIFIED:

0 PLC ± -  
 1 PLC ± -  
 2 PLC ± -  
 3 PLC ± -  
 4 PLC ± -  
 ANGLES ± -

FINISH -

MATERIAL -

ITEM TUBE120100-2A