

THIS DRAWING IS UNPUBLISHED.

RELEASED FOR PUBLICATION

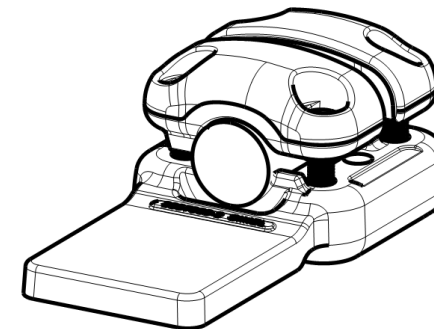
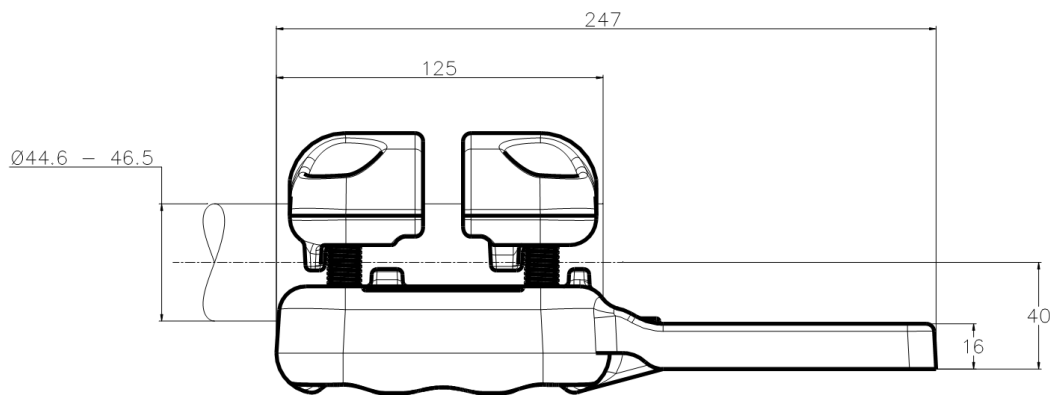
---

© COPYRIGHT -- By --

ALL RIGHTS RESERVED.

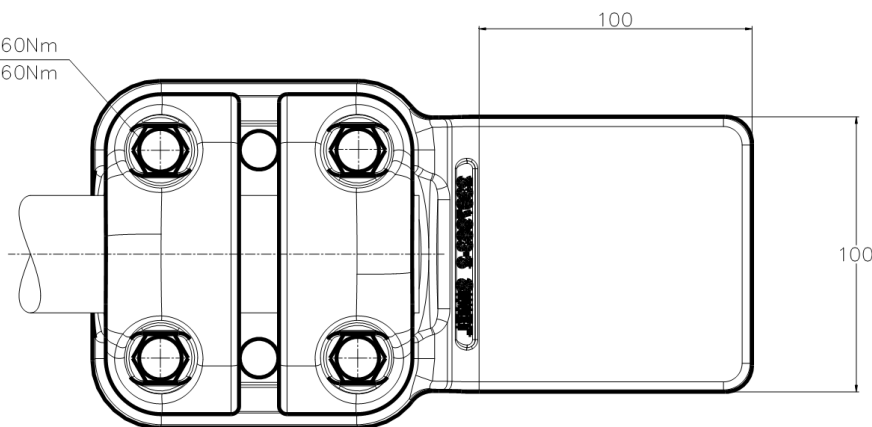
REVISIONS

P	LTR	DESCRIPTION	DATE	OWN	APVD
A		CREATION	25-SEP-19	BH	-



No scale - sans echelle

M12 Bolts stainless steel A2: 60Nm  
Boulons M12 acier inoxydable A2: 60Nm



THIS DRAWING IS A CONTROLLED DOCUMENT.		DWN HUARD 25-SEP-19	<b>STE</b> TE Connectivity																							
DIMENSIONS: mm		CHK -				NAME Pad connector for single conductor Connecteur à plage pour faisceau simple 5 PD 82 L465 100																				
TOLERANCES UNLESS OTHERWISE SPECIFIED:		APVD -	PRODUCT SPEC 108-69096-001																							
<table border="1"> <tr><td>0</td><td>PLC</td><td>± -</td></tr> <tr><td>1</td><td>PLC</td><td>± -</td></tr> <tr><td>2</td><td>PLC</td><td>± -</td></tr> <tr><td>3</td><td>PLC</td><td>± -</td></tr> <tr><td>4</td><td>PLC</td><td>± -</td></tr> <tr><td></td><td>ANGLES</td><td>± -</td></tr> </table>		0	PLC	± -	1	PLC	± -	2	PLC	± -	3	PLC	± -	4	PLC	± -		ANGLES	± -	APPLICATION SPEC -			SIZE A3	CAGE CODE 00779	DRAWING NO C=2363175	RESTRICTED TO -
0	PLC	± -																								
1	PLC	± -																								
2	PLC	± -																								
3	PLC	± -																								
4	PLC	± -																								
	ANGLES	± -																								
MATERIAL -		FINISH -		APPROX. WEIGHT 2.6 kg		CUSTOMER DRAWING		SCALE 1/2	SHEET 1 OF 1	REV A																

ITEM: SAL1180-1.1