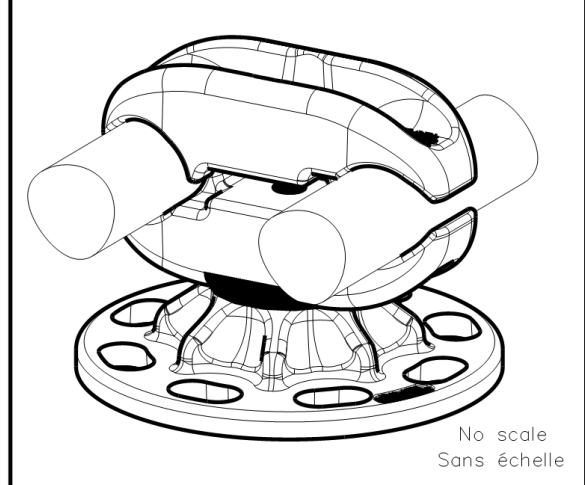
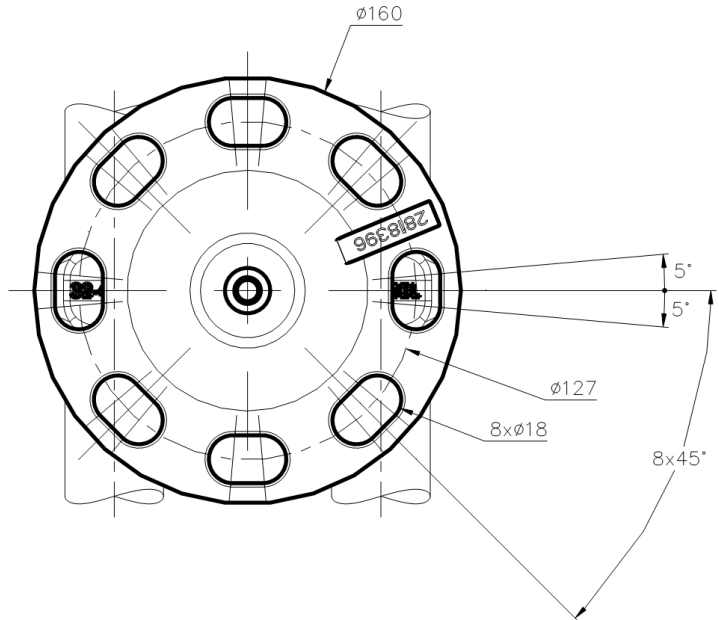
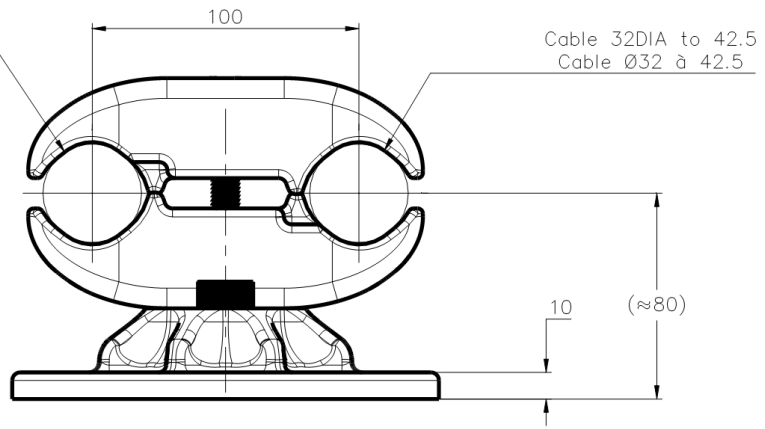


THIS DRAWING IS UNPUBLISHED. RELEASED FOR PUBLICATION  
 (C) COPYRIGHT - By - ALL RIGHTS RESERVED.

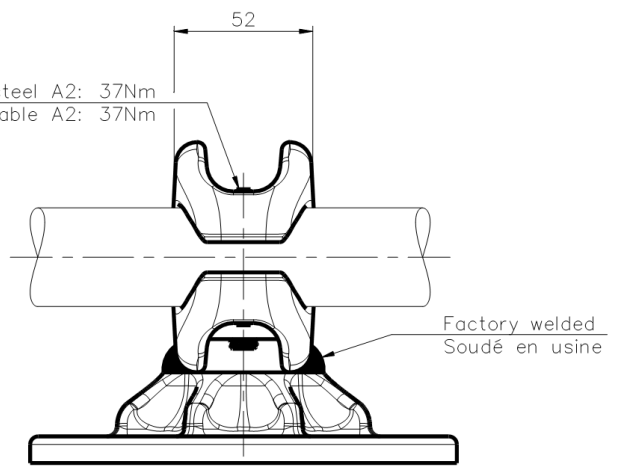
REVISIONS					
P	LTR	DESCRIPTION	DATE	DWN	APVD
A		CREATION	11-OCT-17	JG	-



Cable 32DIA to 42.5  
Cable Ø32 à 42.5



M10 screw stainless steel A2: 37Nm  
Vis M10 acier inoxydable A2: 37Nm



ITEM: AL625-2.4

THIS DRAWING IS A CONTROLLED DOCUMENT.		DWN GODARD	11-Oct-17	<b>STE</b> TE Connectivity													
DIMENSIONS: mm		CHK -	APVD -			NAME TWIN BUNDLE SUPPORT ON BPI SUPPORT DE FAISCEAU DOUBLE SUR ISO											
TOLERANCES UNLESS OTHERWISE SPECIFIED:		APVD -	PRODUCT SPEC 108-69096-001	5 CAE 82 P5 M320/M425 E100													
<table border="1"> <tr><td>0 PLC</td><td>± -</td></tr> <tr><td>1 PLC</td><td>± -</td></tr> <tr><td>2 PLC</td><td>± -</td></tr> <tr><td>3 PLC</td><td>± -</td></tr> <tr><td>4 PLC</td><td>± -</td></tr> <tr><td>ANGLES</td><td>± -</td></tr> </table>		0 PLC	± -	1 PLC	± -	2 PLC	± -	3 PLC	± -	4 PLC	± -	ANGLES	± -	APPLICATION SPEC -	SIZE A3	CAGE CODE 00779	DRAWING NO C=2322755
0 PLC	± -																
1 PLC	± -																
2 PLC	± -																
3 PLC	± -																
4 PLC	± -																
ANGLES	± -																
MATERIAL -		FINISH -	APPROX. WEIGHT 1.3 kg	RESTRICTED TO -													
CUSTOMER DRAWING			SCALE 1:2	SHEET 1 of 1	REV A												