

THIS DRAWING IS UNPUBLISHED.

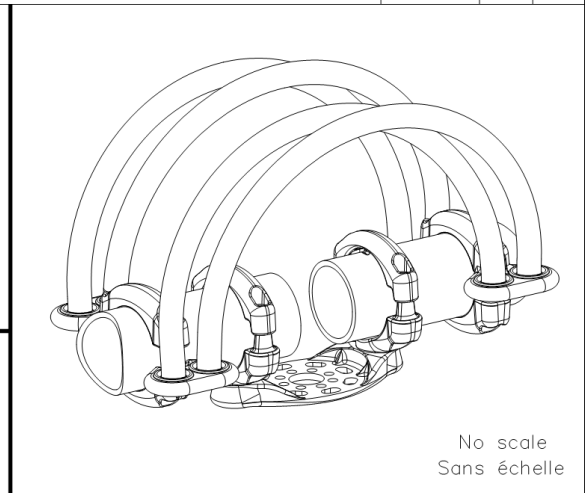
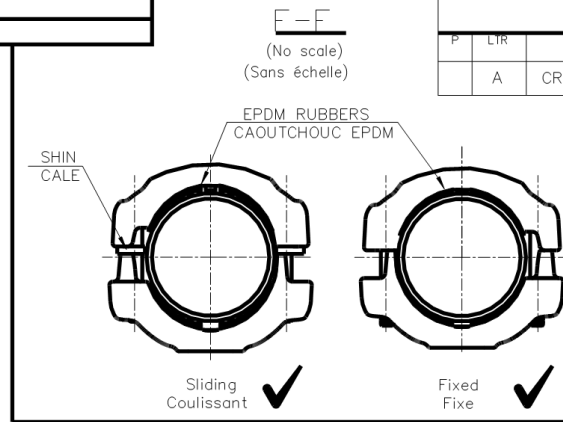
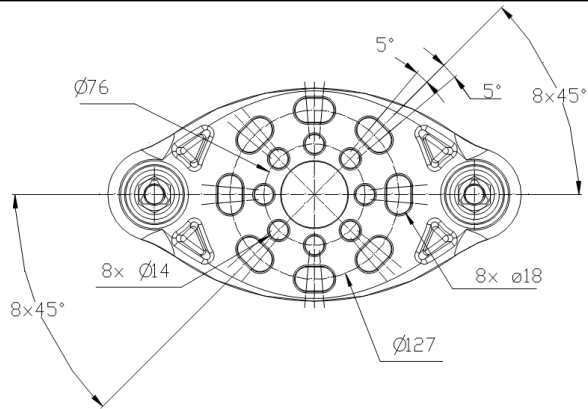
RELEASED FOR PUBLICATION

ALL RIGHTS RESERVED.

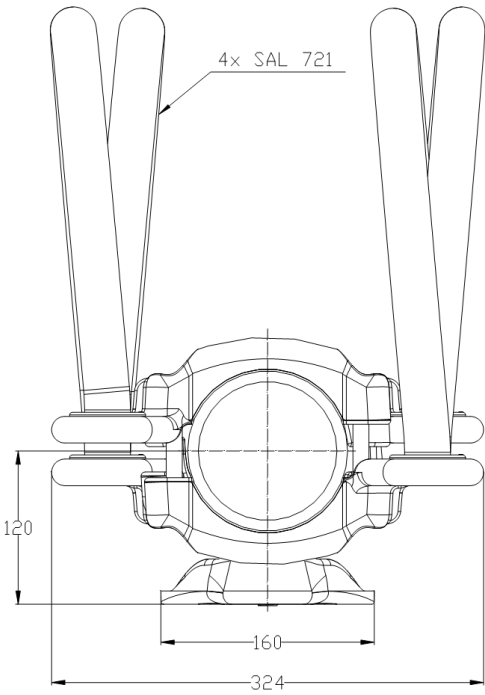
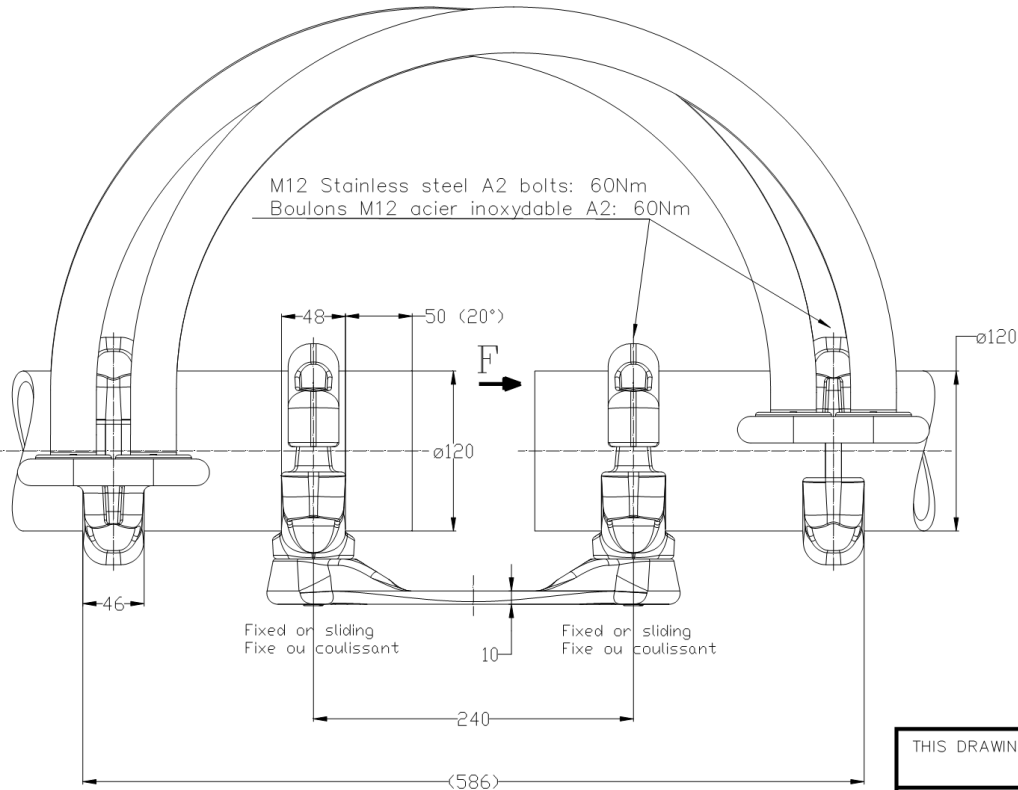
© COPYRIGHT - By -

REVISIONS

P	LTR	DESCRIPTION	DATE	DWN	APVD
A	CREATION		22-NOV-17	GL	-



No scale
Sans échelle



THIS DRAWING IS A CONTROLLED DOCUMENT.		DWN LAForge	22-NOV-17	STE TE Connectivity	
DIMENSIONS: mm		CHK -	APVD -		
TOLERANCES UNLESS OTHERWISE SPECIFIED:		PRODUCT SPEC 108-69090-001		5 TJRL 82 P3-P5 T120 47	
<ul style="list-style-type: none"> 0 PLC ± - 1 PLC ± - 2 PLC ± - 3 PLC ± - 4 PLC ± - ANGLES ± - 		APPLICATION SPEC -		SIZE A3	CAGE CODE 00779
MATERIAL -		FINISH -		DRAWING NO C=2845218	
		APPROX. WEIGHT 15.7 kg		RESTRICTED TO -	
		CUSTOMER DRAWING		SCALE 1:4	SHEET 1 OF 1
				REV A	

ITEM: TUBE120100-10