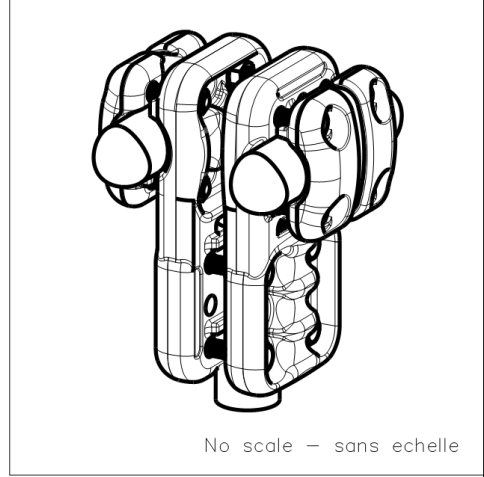
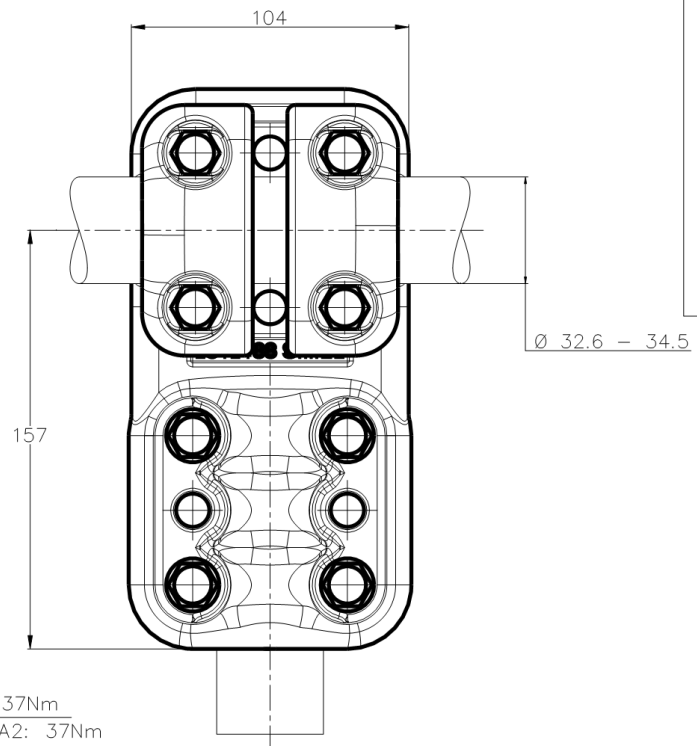
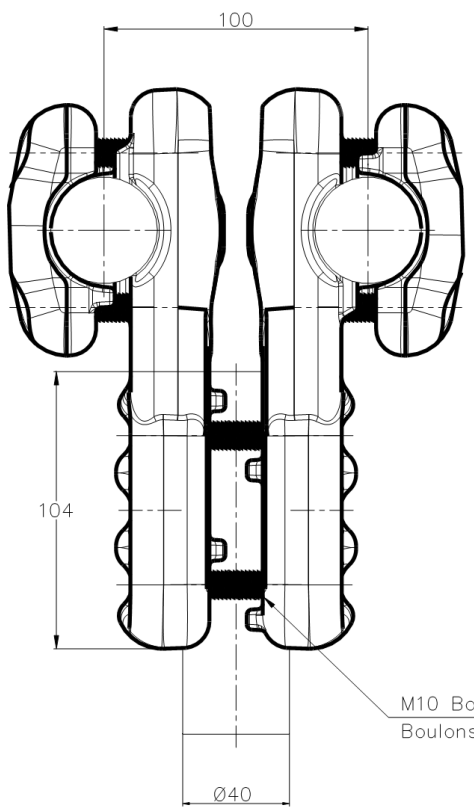


THIS DRAWING IS UNPUBLISHED. RELEASED FOR PUBLICATION -,-  
 © COPYRIGHT - By - ALL RIGHTS RESERVED.

REVISIONS					
P	LTR	DESCRIPTION	DATE	DWN	APVD
A		CREATION	21-NOV-17	GL	-



No scale - sans echelle

M10 Bolts stainless steel A2: 37Nm  
 Boulons M10 acier inoxydable A2: 37Nm

ITEM: AL625-2.2

THIS DRAWING IS A CONTROLLED DOCUMENT.		DWN	LAFORGE 21-NOV-17		<b>STE</b> TE Connectivity
DIMENSIONS: mm		CHK	-		
TOLERANCES UNLESS OTHERWISE SPECIFIED:		APVD	-		NAME Tee connector twin to stud Connecteur en T faisceau double sur borne 5 CT 82 F M345 E100 M405
0 PLC ± - 1 PLC ± - 2 PLC ± - 3 PLC ± - 4 PLC ± - ANGLES ± -		PRODUCT SPEC	108-69096-001		
MATERIAL		FINISH	APPLICATION SPEC	APPROX. WEIGHT	RESTRICTED TO
-		-	-	3.3 kg	-
CUSTOMER DRAWING			SIZE	CAGE CODE	DRAWING NO
			A3	00779	C=2328134
			SCALE	SHEET	REV
			1/2	1 of 1	A