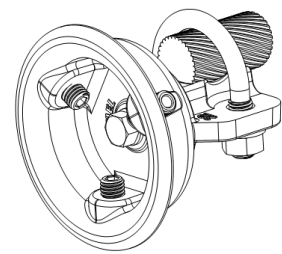


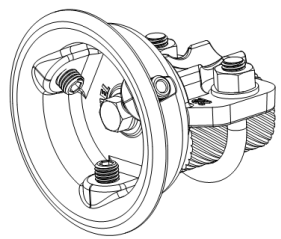
THIS DRAWING IS UNPUBLISHED. RELEASED FOR PUBLICATION
 (C) COPYRIGHT - By - ALL RIGHTS RESERVED.

REVISIONS					
P	LTR	DESCRIPTION	DATE	DWN	APVD
F		UPDATED DRAWING	17-JAN-18	GL	-

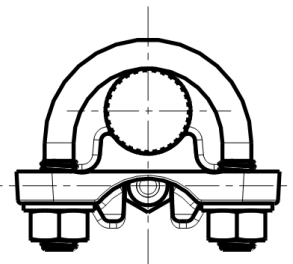
Cable Ø18-24



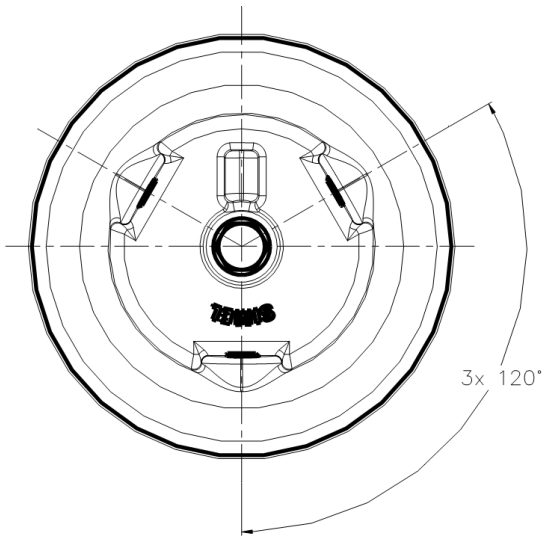
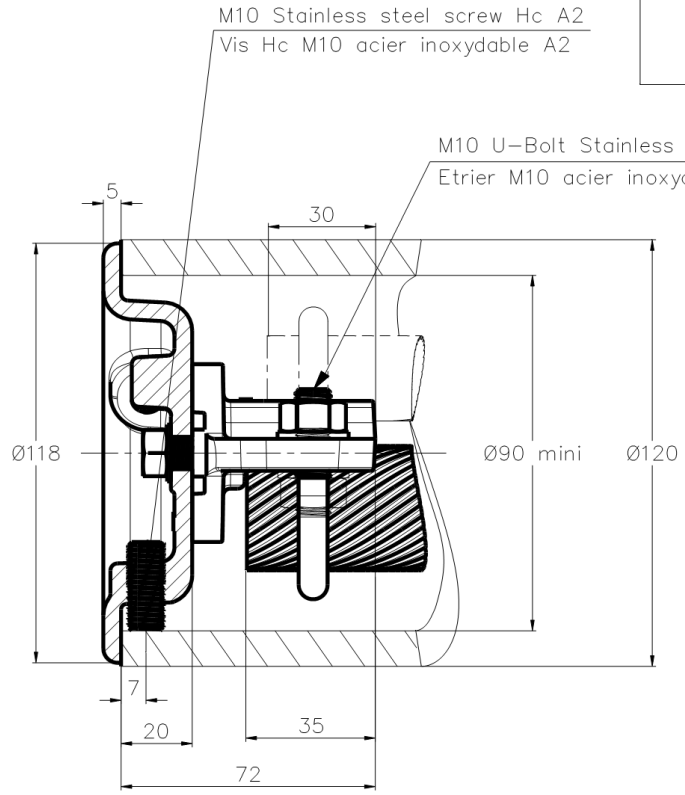
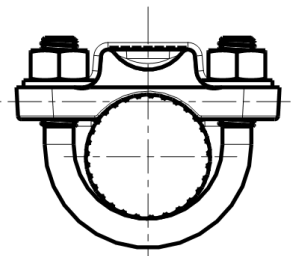
Cable Ø24-35




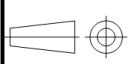
Cable 18DIA to 24 assembly
 Assemblage pour cable Ø18 à 24



Cable 24DIA to 35 assembly
 Assemblage pour cable Ø24 à 35



ITEM: TUBE120100-5

THIS DRAWING IS A CONTROLLED DOCUMENT.		DWN	10-Mar-15		 TE Connectivity
		CHK	HUARD		
DIMENSIONS: mm		TOLERANCES UNLESS OTHERWISE SPECIFIED:		NAME	
		0 PLC ± -		PRODUCT SPEC	
		1 PLC ± -		108-69090-001	
MATERIAL		2 PLC ± -		APPLICATION SPEC	
		3 PLC ± -		SIZE	
FINISH		4 PLC ± -		CAGE CODE	
		5 PLC ± -		DRAWING NO	
		ANGLES ± -		RESTRICTED TO	
		MATERIAL		WEIGHT	
		FINISH		0.47 kg	
				A3 00779 C=2839769	
		CUSTOMER DRAWING		SCALE 3/4 SHEET 1 OF 1 REV F	