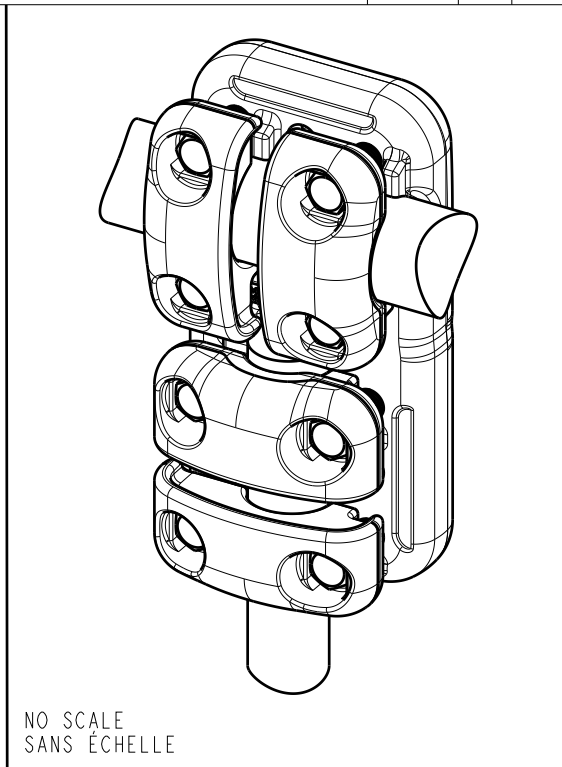
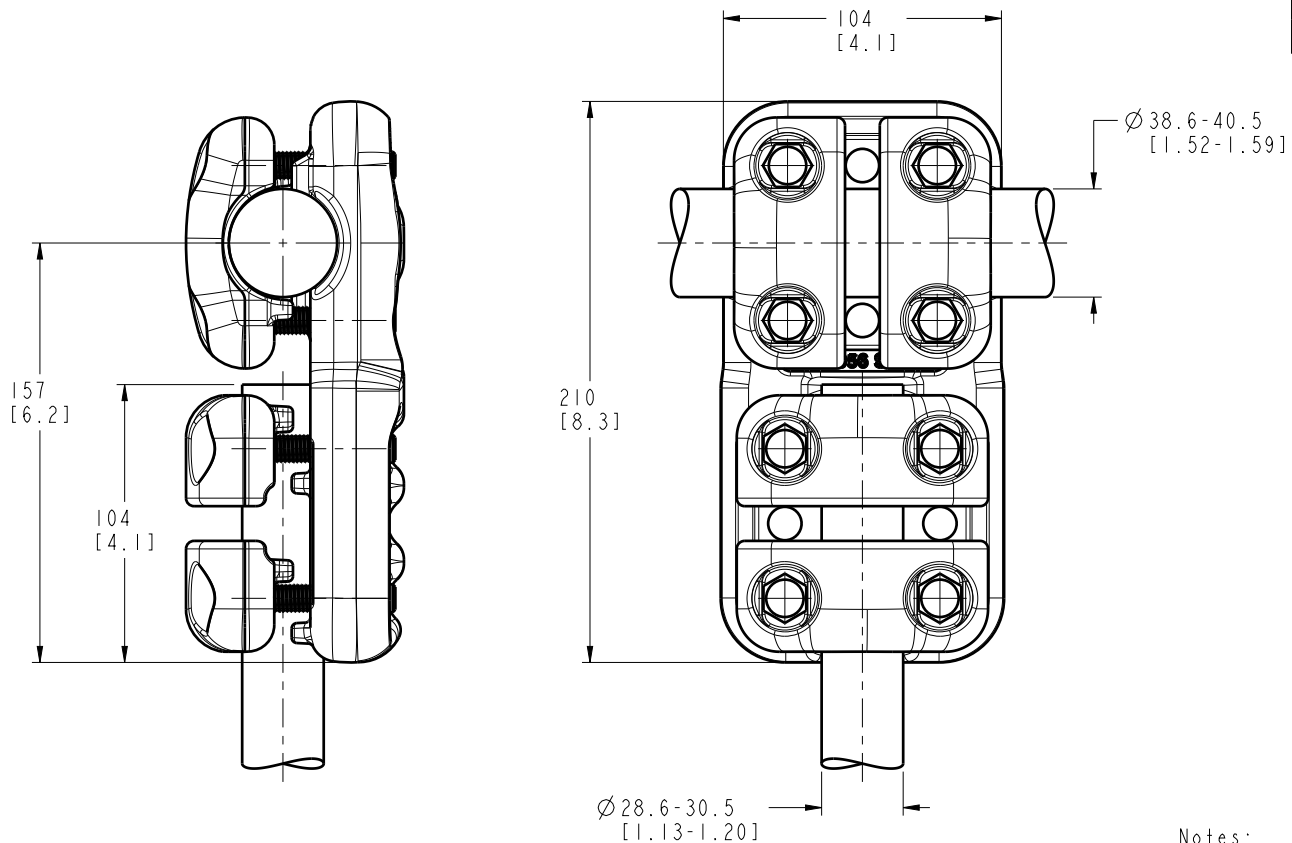


REVISIONS					
P	LTR	DESCRIPTION	DATE	DWN	APVD
	A	INITIAL REL. PER LC20-0109-20	17NOV2020	BM	MP



Notes:
 1. All connector bolts are M10 A2 stainless steel.
 M10 bolts to be tightened to 37Nm / 27.3ft-lb torque.
 Tous les boulons de connecteur sont en acier inoxydable A2 M10.
 Boulons M10 à serrer au couple de 37Nm / 27.3ft-lb.

2365843-5
PART NO.

SAL910-1.1

THIS DRAWING IS A CONTROLLED DOCUMENT.		DWN BHARATH B M 17NOV2020	TE Connectivity		
DIMENSIONS: mm[inch]		CHK J. GUPPY 17NOV2020			
TOLERANCES UNLESS OTHERWISE SPECIFIED:		APVD M. PREVOT 17NOV2020	NAME TEE CONNECTOR CONNECTEUR EN T 5 CT 82 M405 M305		
0 PLC ± 1 PLC ± 2 PLC ± 3 PLC ± 4 PLC ± ANGLES ±		PRODUCT SPEC 108-69096-001	SIZE A3	CAGE CODE 00779	DRAWING NO. C=2365843-5
MATERIAL -		FINISH -	APPLICATION SPEC -	RESTRICTED TO -	SCALE 1:2
		WEIGHT 2.1 kg/4.62 lbs	SHEET 1	OF 1	REV A
CUSTOMER DRAWING					