

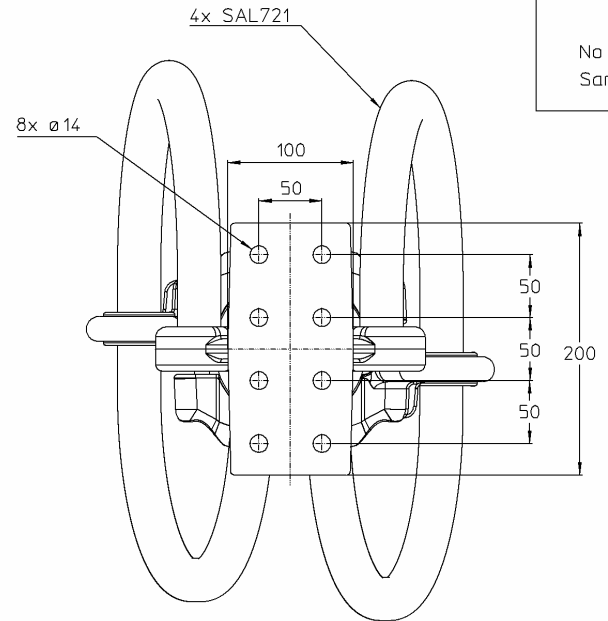
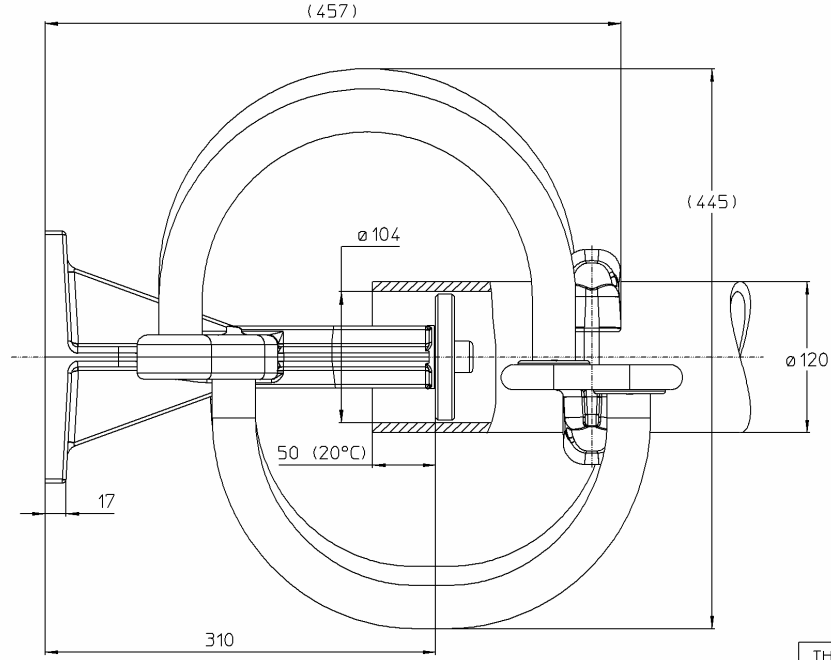
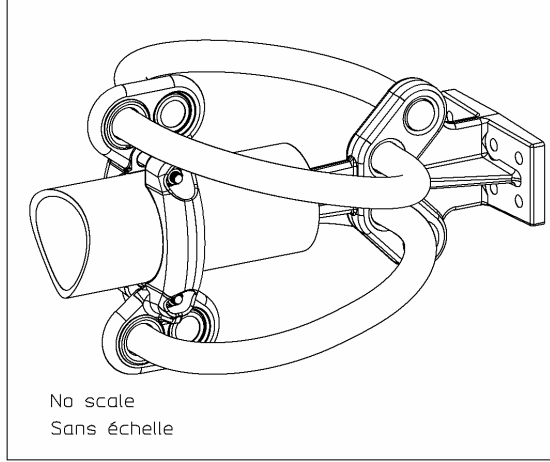
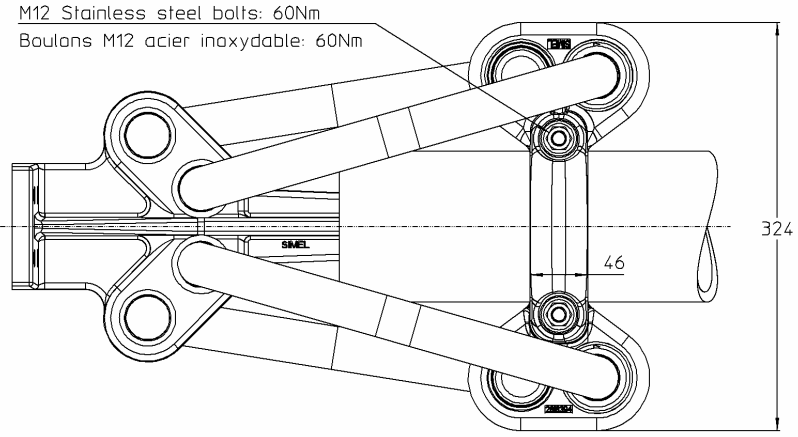
THIS DRAWING IS UNPUBLISHED
 DIFFUSION RESTREINTE

RELEASED FOR PUBLICATION
 LIBRE A LA DIFFUSION

2011

ALL RIGHTS RESERVED.
 TOUS DROITS RESERVES.

| LOC | | DIST | | REVISIONS | | | |
|-----|---------|---------------------------|-----------|-----------|-----------|--|--|
| P | LTR REV | DESCRIPTION MODIFICATIONS | DATE | DWN DESS | APVD APPR | | |
| - | - | | | | | | |
| | A | CREATION | 17-Sep-14 | JG | - | | |
| | B | UPDATED DRAWING | 06-May-15 | PG | - | | |



| | | | | | | | | | | | | |
|---|---|---|---|---|-----------------------------|--|---------------------------------|------------------|---|----------|---|----------|
| THIS DRAWING IS A CONTROLLED DOCUMENT. <small>CE PLAN EST UN DOCUMENT CONTROLE PAR TYCO ELECTRONICS CORPORATION IL EST SUSCEPTIBLE D'ETRE REUSE POUR OBTENIR LA SERIEE NORMALE. CONTACTER LE SERVICE TECHNIQUE DE TYCO ELECTRONICS SNEI, SAS. 21200 LEVREY-D'ANVERGN, FRANCE.</small> | | DWN /DESSINE GODARD | 17-Sep-14 | TE connectivity SIMEL PRODUCTS | | EXPANSION CONNECTOR-Ø120 TO PAD RACCORD A DILATION-TUBE Ø120 SUR PLAG 5 TTPHL 82 T104/120 100X200 R90 47H | | | | | | |
| DIMENSIONS: mm | TOLERANCES UNLESS OTHERWISE SPECIFIED PER TOLERANCES NON SPECIFIEES SELON : - | CHK/VERIFIE - | APVD/APPROUVE - | | | | | NAME/TITRE - | | | | |
| | | PRODUCT SPEC SPEC PRODUCT 108-69090-001 | APPLICATION SPEC SPEC APPLICATION - | SIZE FORMAT A3 | CAGE CODE 00779 | DRAWING NO No PLAN C=2830777 | RESTRICTED TO RESERVE A - | | | | | |
| MATERIAL MATIERE | FINISH FINITION | APPROX. WEIGHT MASSE APPROX | 105 kg | CUSTOMER DRAWING /PLAN CLIENT | UNQUEMENT POUR REFERENCE | SCALE ECHELLE | 1/4 | SHEET FEUILLE | 1 | OF DE | 1 | REV B |

ITEM:TUBE120100-2